



EMAIL LIMITED

ACN 000 029 407

MAJOR
APPLIANCE
GROUP

PRINT POST APPROVED PP565001/00099

Technical Publication N° RW 50

Issue: 1
Date: 7/97

**REFRIGERATOR
FREEZER
"Q" SERIES**

MODELS:

BJ414Q (AUSTRALIA)

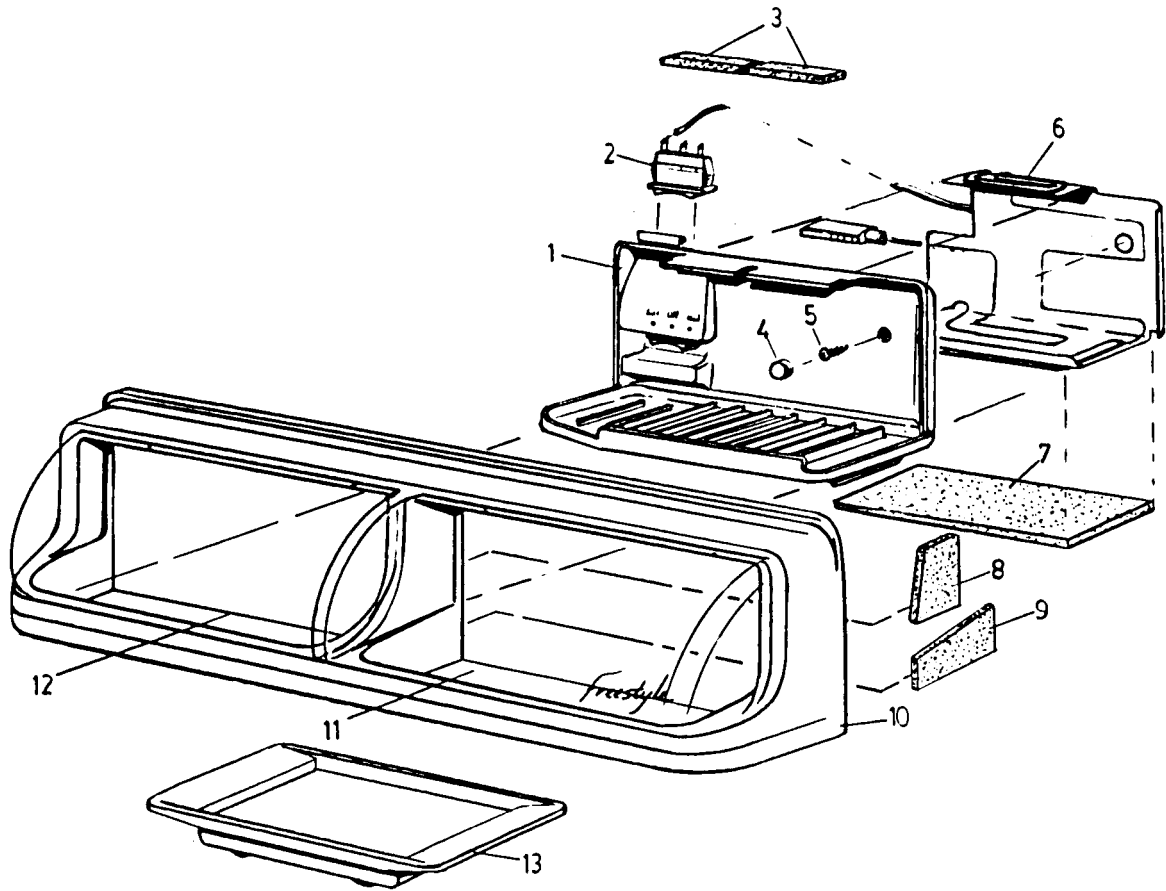
BJ415Q

BJ414BQ (NEW ZEALAND)

BJ415BQ

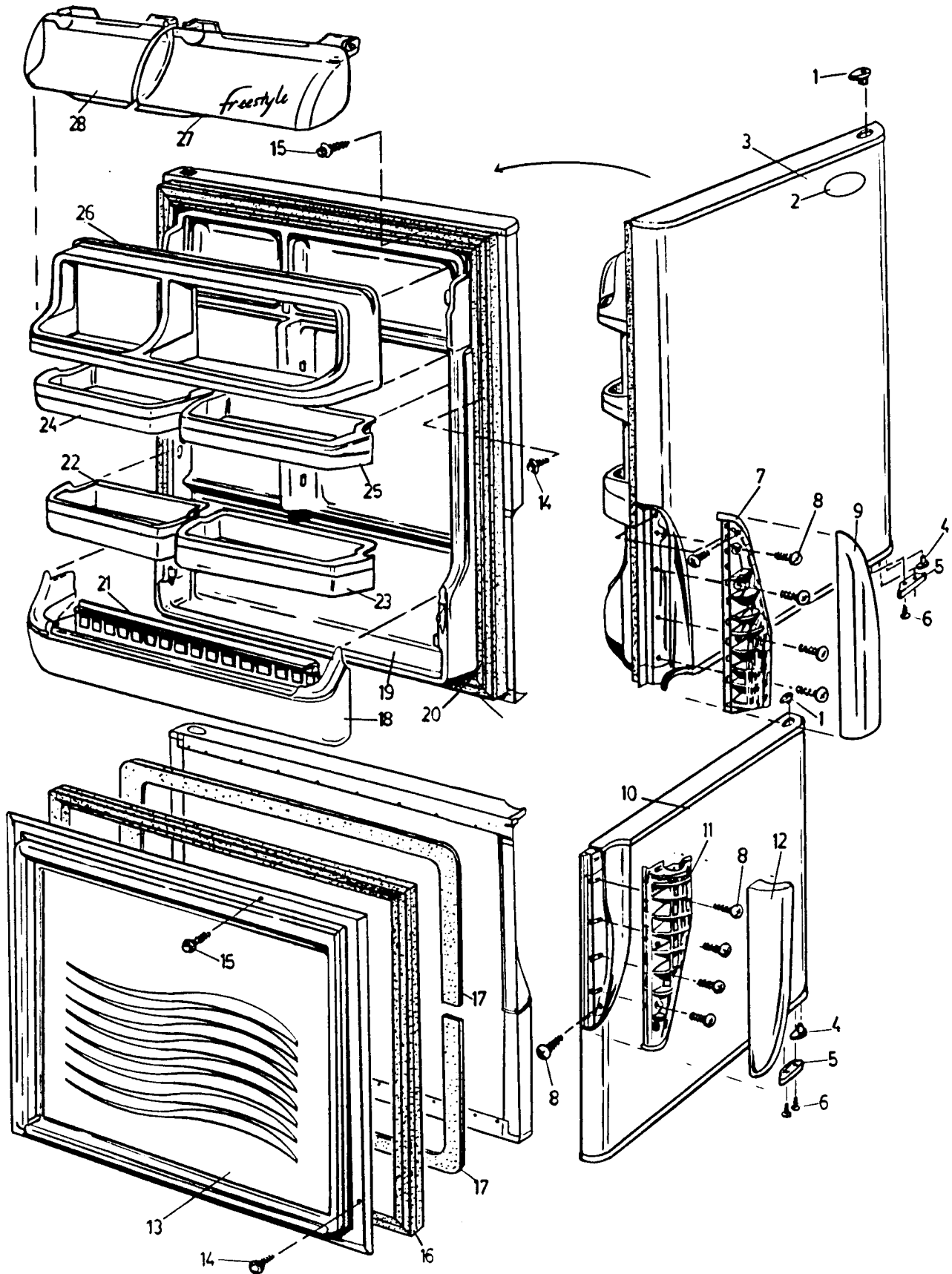
MODELS: BJ414BQ
BJ415BQ

EX. VIEW DRAWING 2658
BUTTER CONDITIONER
ASSEMBLY



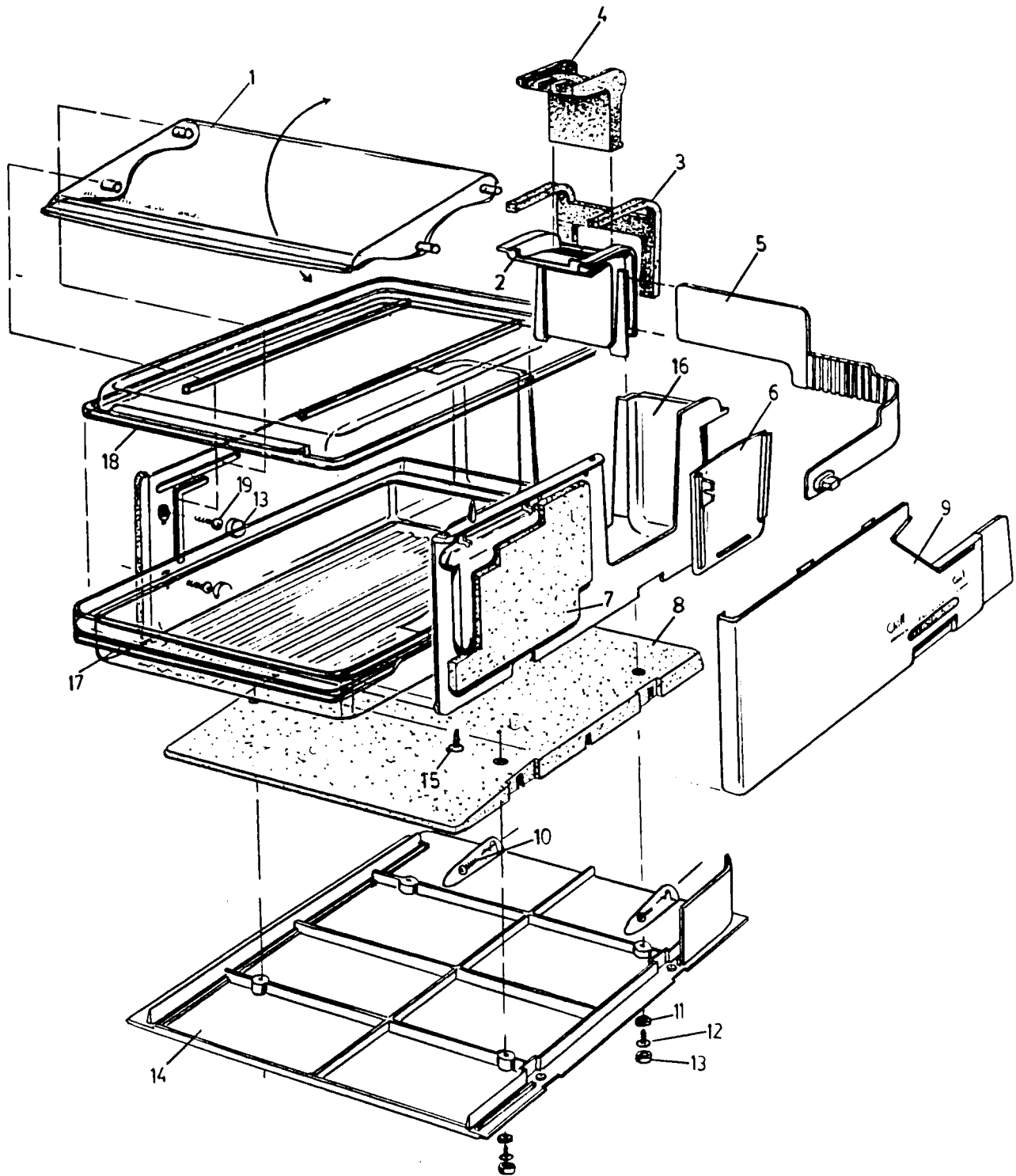
MODELS: BJ414Q
BJ414BQ
BJ415Q
BJ415BQ

Ex. VIEW DRAWING 2643
DOOR ASSEMBLIES



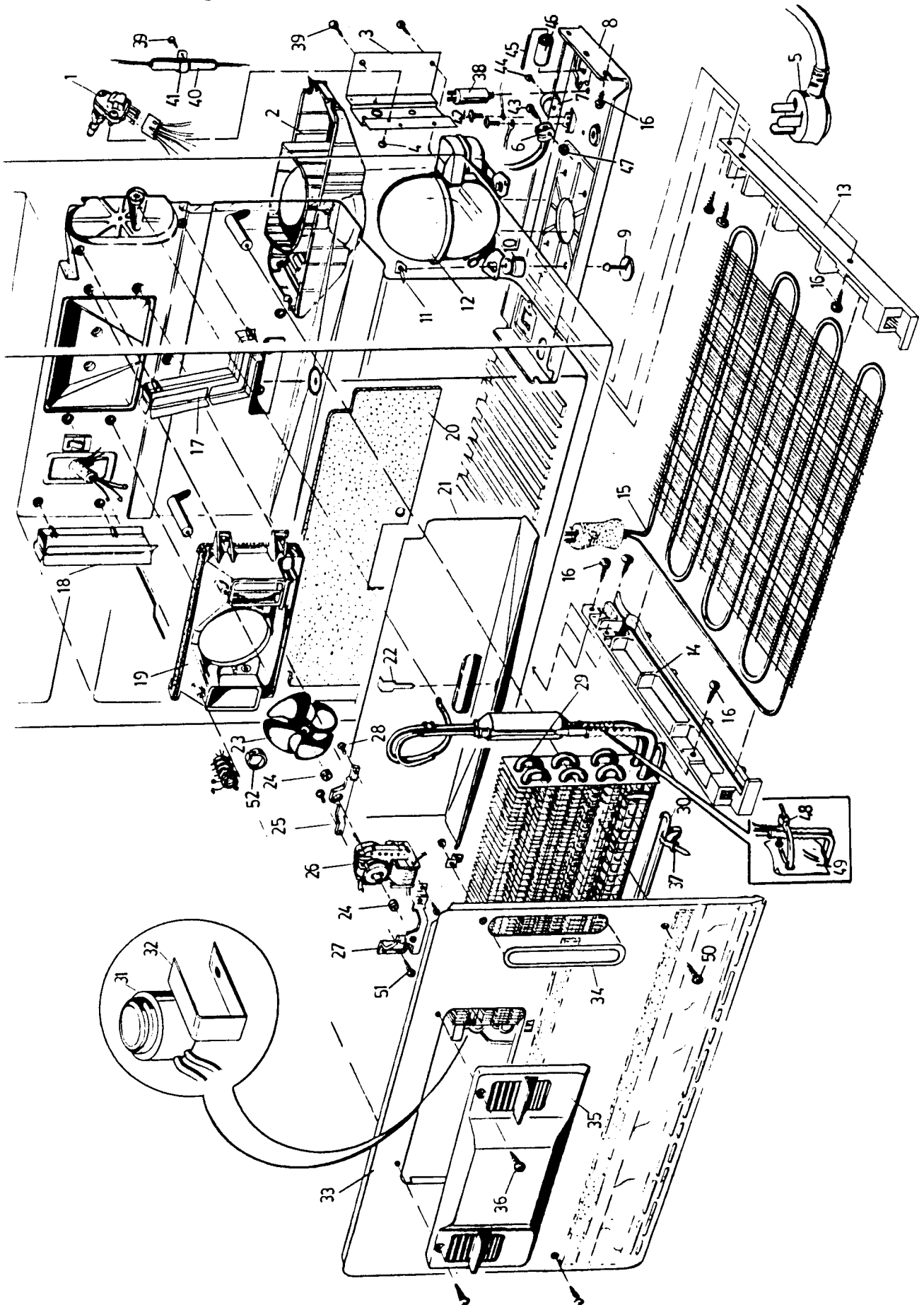
MODELS: BJ415Q
BJ415BQ

EX. VIEW DRAWING 2657
CHILLER ASSEMBLY



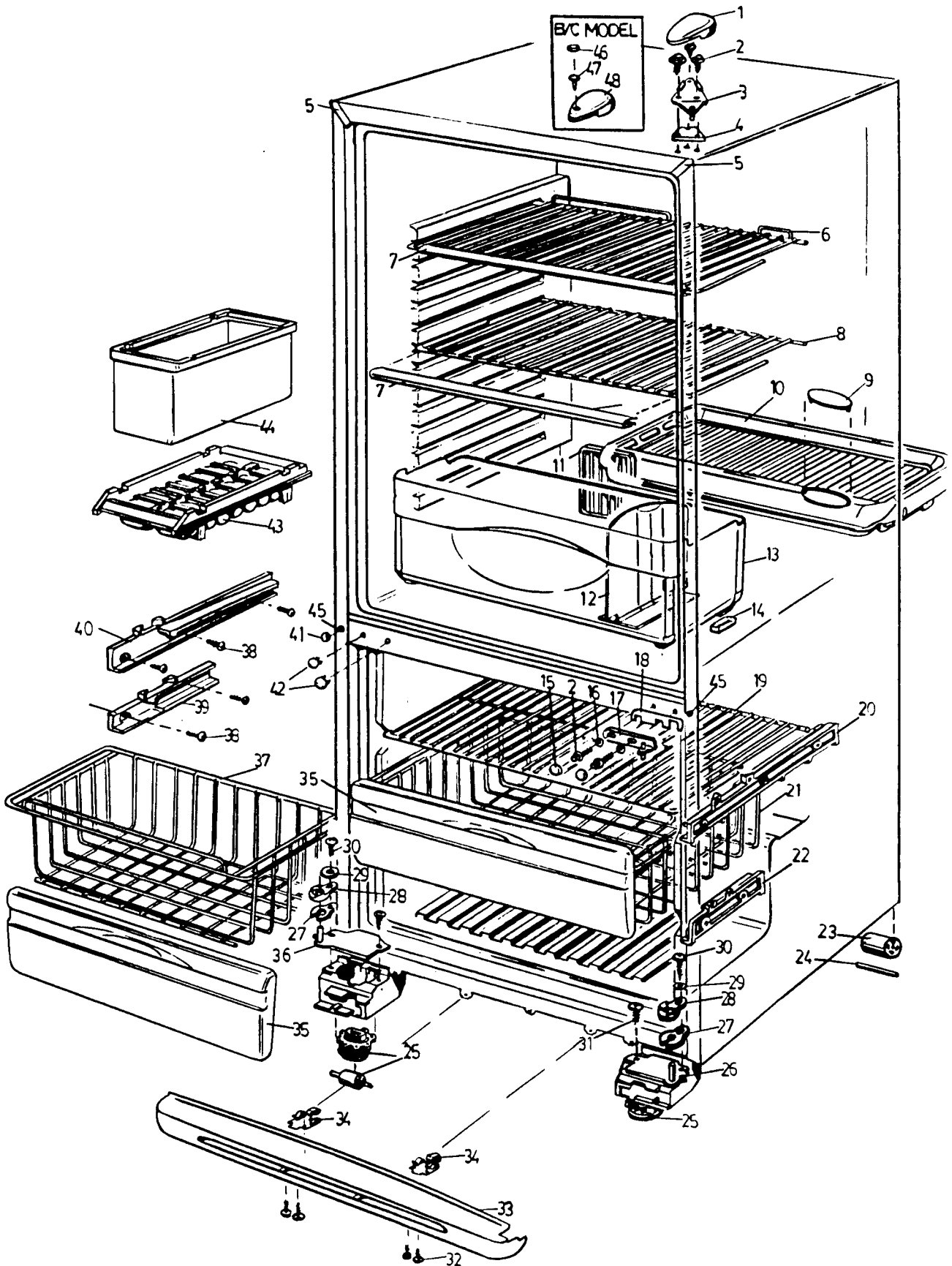
MODEL BJ414Q
BJ414BQ
BJ415Q
BJ415BQ

EX. VIEW DRAWING EX. 2542
FREEZER ASSEMBLY



MODELS: BJ414Q
BJ414BQ
BJ415Q
BJ415BQ

EX. VIEW DRAWING 2646
CABINET ASSEMBLY



MODEL BJ414Q
BJ414BQ
BJ415Q
BJ415BQ

EX. VIEW DRAWING 2440
COMPRESSOR & PARTS

